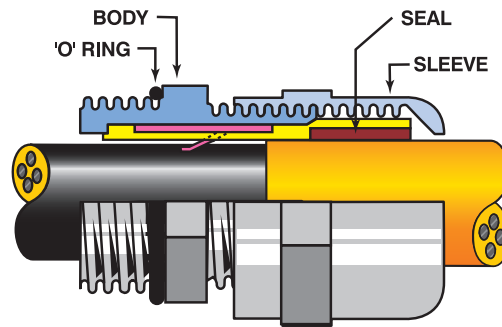
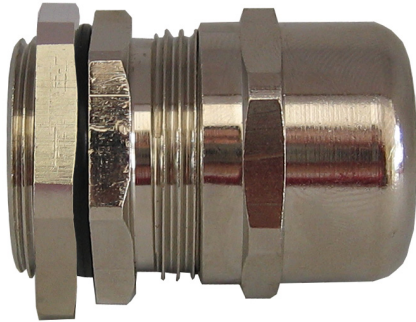


Alco

General Purpose Glands for Unarmoured Cable



Applications	For indoor or outdoor use
Function	Provides seal on cable sheath
Approvals	IP68 (50m)
Range	ALCBRGM6-ALCBRGM63
Material	Brass, Nickel Plated
Locknut	Supplied as standard
Seal	Neoprene
O Ring	NBR
Temperature Range	-40°C to +100°C

SPECIFICATIONS:

PART NUMBER	CABLE SEALING RANGE (MM)		THREAD DIAMETER x LENGTH	DIAMETER ACROSS FLATS	ORANGE SHROUD*		BOX QTY
	MIN	MAX			PVC	SILICON	
ALCBRGM6	2.3	3.7	M6 x 5	10	-	-	10
ALCBRGM8	3.5	5.0	M8 x 5	11	-	-	10
ALCBRGM10	4.8	6.3	M10 x 6	13	-	-	10
ALCBRGM12	3.0	6.5	M12 x 12	14	-	-	15
ALCBRGM16	4.0	8.0	M16 x 12	18	-	ALCSG0S	15
ALCBRGM16L	5.0	10.0	M16 x 12	20	-	ALCSG0S	15
ALCBRGM20	6.0	12.0	M20 x 12	22	ALCSG1	ALCSG1S	10
ALCBRGM20L	10.0	14.0	M20 x 12	24	ALCSG1	ALCSG1S	10
ALCBRGM25	10.0	14.0	M25 x 12	27	ALCSG2	ALCSG2S	10
ALCBRGM25L	13.0	18.0	M25 x 12	30	ALCSG2L	ALCSG2LS	10
ALCBRGM32	13.0	18.0	M32 x 15	32	ALCSG2L	ALCSG2LS	5
ALCBRGM32L	18.0	25.0	M32 x 15	40	-	ALCSG3L	5
ALCBRGM40	18.0	25.0	M40 x 15	43	-	ALCSG3L	4
ALCBRGM40L	22.0	32.0	M40 x 15	50	ALCSG4	ALCSG4S	4
ALCBRGM50	22.0	32.0	M50 x 15	55	ALCSG5	ALCSG5S	2
ALCBRGM50L	27.0	44.0	M50 x 15	68	ALCSG6	ALCSG6S	2
ALCBRGM63	34.0	44.0	M63 x 15	68	ALCSG6	ALCSG6S	1
ALCBRGM63L	37.0	53.0	M63 x 18	75	-	ALCSG6L	1

* For Black Shroud add 'B' to part number: e.g. ALCSG3SB. Note: Mounting thread pitch 1.5mm, except for ALCBRGM6/8/12 which are 1.25mm. See product and/or website for fitting instructions. **No suitable shroud available, use HSTNW18/9 size heatshrink instead. NPT and PG fittings available upon request, lead times apply. See website for fitting instructions. # All dimensions in mm unless otherwise specified.

Wattmaster

THE BRAND ELECTRICIANS RELY ON

T: 1300 300 747 F: 1300 300 074

www.wattmaster.com.au