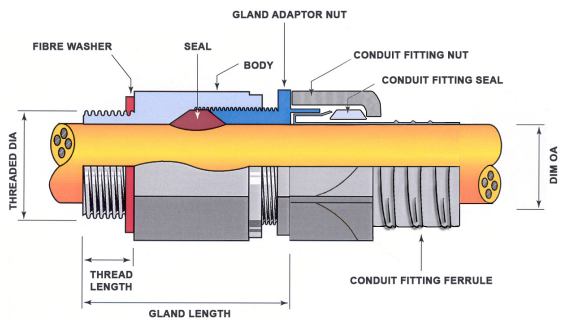
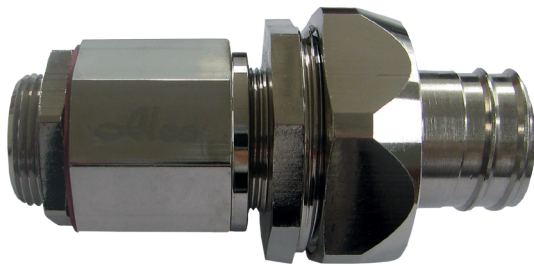


# Alco

## Hazardous Area Adaptor Nut Fittings



### ANACONDA SEALTITE®

To suit Anaconda Conduit

#### FEATURES:

<b>Applications</b>	For indoor or outdoor corrosive environments
<b>Function</b>	Provides seal on cable sheath, adaptor nut for use with liquid metal conduit fitting option
<b>Approvals</b>	CERTIFICATE NO: IEC Ex TSA 13.0002, ANZ Ex 13.0001 Ex db IIC Ex eb IIC Ex ta IIIC IEC/AS/NZS 60079 (.0, .1, .7, .31) IP66/68 (30m), IEC 60529, AS 1939-1990
<b>Range</b>	ALCHUW20SB-LTA16-ALCHUW50-LTA63
<b>Material</b>	Brass, Nickel Plated
<b>Locknut</b>	Supplied as standard
<b>Seal</b>	TPE
<b>Temperature Range</b>	-20°C to +80°C

#### SPECIFICATIONS:

PART NUMBER	CONDUIT SIZE		THREAD SIZE (mm)	BOX QTY	SUITABLE CONDUIT						
	mm	INCHES			TYPE HCB	TYPE AEF	TYPE EF ORANGE	TYPE AOR	TYPE HCX	TYPE ZHUA	TYPE SHIELDTITE
ALCHUW20SB-LTA16	16	3/8	20	1	HCB38-BLK	AEF38	EF38-ORG	AOR38	HCX38	ZHUA38	ANAEMC38
ALCHUW20A-LTA20	20	1/2	20	1	HCB12-BLK	AEF12	EF12-ORG	AOR12	HCX12	ZHUA12	ANAEMC12
ALCHUW20B-LTA25	25	3/4	20	1	HCB34-BLK	AEF34	EF34-ORG	AOR34	HCX34	ZHUA34	ANAEMC34
ALCHUW25-LTA32	32	1	25	1	HCB100-BLK	AEF100	EF100-ORG	AOR100	HCX100	ZHUA100	ANAEMC100
ALCHUW32-LTA40	40	1 1/4	32	1	-	AEF114	EF114-ORG	AOR114	HCX114	ZHUA114	ANAEMC114
ALCHUW40-LTA50	50	1 1/2	40	1	-	AEF112	EF112-ORG	AOR112	HCX112	ZHUA112	ANAEMC112
ALCHUW50-LTA63	63	2	50	1	-	AEF200	EF200-ORG	AOR200	HCX200	ZHUA200	ANAEMC200

## Wattmaster

THE BRAND ELECTRICIANS RELY ON

T: 1300 300 747 F: 1300 300 074

www.wattmaster.com.au