

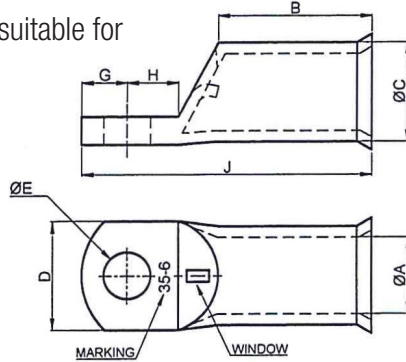
**NEW
PRODUCT**

Alco

Circuit Breaker Lugs

FEATURES:

- Non-insulated electro grade copper crimp lugs suitable for stranded to fine-stranded copper cable
- Electro tinned finish for corrosion resistance
- 99.9% copper for high conductivity
- Includes inspection port
- Operating temperature: -55°C to +155°C
- All sizes can be sold individually



SPECIFICATIONS:

PART NUMBER	CONDUCTOR SIZE (mm ²)	STUD SIZE (mm)	DIMENSIONS (mm)							RECOMMENDED HEAT SHRINK		
			BARREL ID	BARREL OD	PALM WIDTH	BARREL LENGTH	STUD DIST FROM BARREL	STUD DIST FROM TOP	TOTAL LENGTH	THIN WALL	MED WALL	THICK WALL
			A	C	D	B	H	G	J			
ALCLCB35M6	35	6.20	8.2	11.2	15	21	8	7	41	HSTNW18/9	HSMWGL25/8L	HSTKWGL19/6
ALCLCB50M6	50	6.20	9.5	12.8	15	22	8	7	43	HSTNW18/9	HSMWGL25/8L	HSTKWGL19/6
ALCLCB50M10	50	10.20	9.5	12.8	19	22	12	9	49	HSTNW18/9	HSMWGL25/8L	HSTKWGL19/6
ALCLCB70M6	70	6.20	11.2	14.3	17	24	8.5	6.5	45	HSTNW22/11	HSMWGL25/8L	HSTKWGL19/6
ALCLCB70M10	70	10.20	11.2	14.3	19	24	12	9	51	HSTNW22/11	HSMWGL25/8L	HSTKWGL19/6
ALCLCB95M8	95	8.20	13.5	17.4	19	27	9	8	51	HSTNW22/11	HSMWGL25/8L	HSTKWGL28/9
ALCLCB95M10	95	10.50	13.5	17.4	19	27	12	9	55	HSTNW22/11	HSMWGL25/8L	HSTKWGL28/9
ALCLCB120M8	120	8.5	15.6	20.6	19	30	12	11	61	HSTNW40/20	HSMWGL35/12L	HSTKWGL28/9
ALCLCB120M10	120	10.2	15.6	20.6	19	30	12	11	61	HSTNW40/20	HSMWGL35/12L	HSTKWGL28/9
ALCLCB150M8	150	8.2	16.7	22.5	19	30	15	12	66	HSTNW40/20	HSMWGL35/12L	HSTKWGL38/12
ALCLCB150M10	150	10.2	16.7	22.5	19	30	15	12	66	HSTNW40/20	HSMWGL35/12L	HSTKWGL38/12
ALCLCB185M10	185	10.5	18.4	24.2	25	32	17.5	14.5	74	HSTNW40/20	HSMWGL35/12L	HSTKWGL38/12
ALCLCB240M10	240	10.2	21.2	28.2	31	38	18.5	13.5	82	HSTNW40/20	HSMWGL50/16L	HSTKWGL38/12
ALCLCB240M12	240	13.0	21.2	28.2	31	38	18.5	13.5	82	HSTNW40/20	HSMWGL50/16L	HSTKWGL38/12
ALCLCB300M10	300	10.50	23.5	31.3	31	42	20	12	87	HSTNW40/20	HSMWGL50/16L	HSTKWGL51/16