

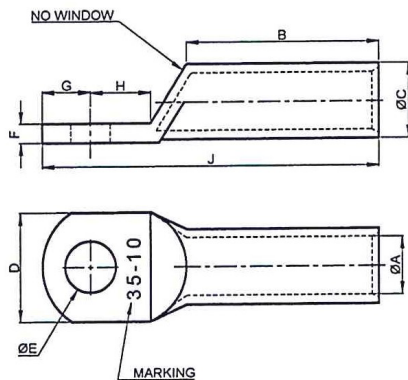
Alco

Long Barrel Lugs

FEATURES:

- Non-insulated electro grade copper crimp lugs suitable for stranded to fine-stranded copper cable
- Electro tinned finish for corrosion resistance
- 99.9% copper for high conductivity
- Operating temperature: -55°C to +155°C
- All sizes can be sold individually

**NEW
PRODUCT**



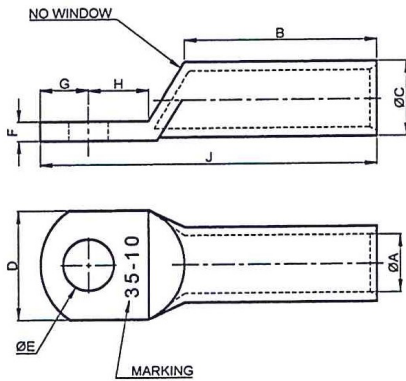
SPECIFICATIONS:

PART NUMBER	CONDUCTOR SIZE (MM ²)	STUD SIZE (MM) E	DIMENSIONS (MM)								RECOMMENDED HEAT SHRINK		
			BARREL ID	BARREL OD	PALM WIDTH	PALM THICKNESS	BARREL LENGTH	STUD DIST FROM BARREL	STUD DIST FROM TOP	TOTAL LENGTH	THIN WALL	MED WALL	THICK WALL
			A	C	D	F	B	H	G	J			
ALCLLB10M6	10	6.5	4.7	7.1	12	1.8	18	7	6	35	HSTNW10.0/5.0	HSMWGL16/5L	HSTKWGL13/4
ALCLLB16M6	16	6.5	5.5	7.9	11	2.4	21	9	7	41	HSTNW13/6.5	HSMWGL16/5L	HSTKWGL13/4
ALCLLB16M8	16	8.4	5.5	7.9	14	1.7	21	9	7	41	HSTNW13/6.5	HSMWGL16/5L	HSTKWGL13/4
ALCLLB25M8	25	8.4	7.1	9.5	14	2.4	29	9	7	49	HSTNW13/6.5	HSMWGL16/5L	HSTKWGL19/6
ALCLLB25M10	25	10.5	7.1	9.5	16	2.0	29	10	9	52	HSTNW13/6.5	HSMWGL16/5L	HSTKWGL19/6
ALCLLB25M12	25	13	7.1	9.5	18	1.7	29	13	10	56	HSTNW13/6.5	HSMWGL16/5L	HSTKWGL19/6
ALCLLB35M8	35	8.4	8.2	11.2	16	3.0	35	10	9	59	HSTNW18/9	HSMWGL25/8L	HSTKWGL19/6
ALCLLB35M10	35	10.5	8.2	11.2	18	2.6	35	10	9	59	HSTNW18/9	HSMWGL25/8L	HSTKWGL19/6
ALCLLB35M12	35	13	8.2	11.2	20	2.4	35	13	11	64	HSTNW18/9	HSMWGL25/8L	HSTKWGL19/6

**NEW
PRODUCT**

Alco

Long Barrel Lugs



SPECIFICATIONS:

PART NUMBER	CONDUCTOR SIZE (MM ²)	STUD SIZE (MM) E	DIMENSIONS (MM)								RECOMMENDED HEAT SHRINK		
			BARREL ID	BARREL OD	PALM WIDTH	PALM THICKNESS	BARREL LENGTH	STUD DIST FROM BARREL	STUD DIST FROM TOP	TOTAL LENGTH	THIN WALL	MED WALL	THICK WALL
			A	C	D	F	B	H	G	J			
ALCLLB50M10	50	10.5	9.5	12.8	18	3.2	44	10	8	68	HSTNW18/9	HSMWGL25/8L	HSTKWGL19/6
ALCLLB50M12	50	13	9.5	12.8	21	2.7	46	13	11	76	HSTNW18/9	HSMWGL25/8L	HSTKWGL19/6
ALCLLB70M10	70	10.5	11.2	14.3	21	3.2	48	13	11	78	HSTNW22/11	HSMWGL25/8L	HSTKWGL19/6
ALCLLB70M12	70	13	11.2	14.3	21	3.2	48	13	11	78	HSTNW22/11	HSMWGL25/8L	HSTKWGL19/6
ALCLLB95M10	95	10.5	13.5	17.4	25	3.8	54	14	12	87	HSTNW22/11	HSMWGL25/8L	HSTKWGL28/9
ALCLLB95M12	95	13	13.5	17.4	25	3.8	54	14	12	87	HSTNW22/11	HSMWGL25/8L	HSTKWGL28/9
ALCLLB120M10	120	10.5	15.6	20.6	30	4.7	60	14	12	94	HSTNW40/20	HSMWGL35/12L	HSTKWGL28/9
ALCLLB120M12	120	13	15.6	20.6	30	4.7	60	14	12	94	HSTNW40/20	HSMWGL35/12L	HSTKWGL28/9
ALCLLB150M12	150	13	16.7	22.5	32	5.3	60	18	18	105	HSTNW40/20	HSMWGL35/12L	HSTKWGL38/12
ALCLLB150M16	150	17	16.7	22.5	32	5.3	60	18	18	105	HSTNW40/20	HSMWGL35/12L	HSTKWGL38/12
ALCLLB185M12	185	13	18.4	24.2	36	5.4	64	18	18	111	HSTNW40/20	HSMWGL35/12L	HSTKWGL38/12
ALCLLB240M12	240	13	21.2	28.2	41	7.0	80	21	21	134	HSTNW40/20	HSMWGL50/16L	HSTKWGL38/12
ALCLLB300M16	300	17	23.5	31.3	46	7.7	90	23	23	149	HSTNW40/20	HSMWGL50/16L	HSTKWGL51/16
ALCLLB400MB	400	-	26.8	34.8	50	7.9	93	28	24	163	HSTNW50/25	HSMWGL50/16L	HSTKWGL51/16
ALCLLB500MB	500	-	30.0	39.0	56	7.6	105	27	27	174	HSTNW50/25	HSMWGL50/16L	HSTKWGL68/22
ALCLLB630MB	630	-	34.0	45.0	64.4	9.5	110	32	32	191	HSTNW50/25	HSMWGL50/16L	HSTKWGL68/22