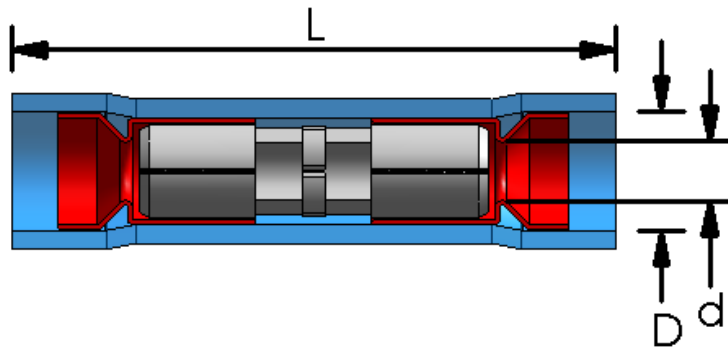
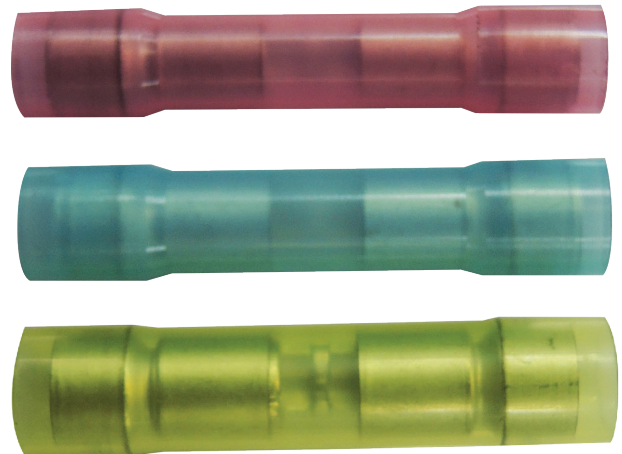


Alco

PVC Insulated Window Splice Terminals

FEATURES:

- Translucent window splices allow you to see the crimp
- Double crimp
- Electro tin plated
- 600V max
- Operating temperature: +105°C



SPECIFICATIONS:

PART NUMBER	CONDUCTOR SIZE (MM ²)	DIMENSIONS (MM)			PACK QTY	COLOUR
		L	D	d		
ALCWSPLR/50	0.5-1.5	26.0	4.5	1.7	50	Red
ALCWSPLB/50	1.5-2.5	26.0	5.0	2.3	50	Blue
ALCWSPLY/30	4.0-6.0	30.0	6.8	3.4	30	Yellow

Wattmaster

THE BRAND ELECTRICIANS RELY ON

T: 1300 300 747 **F:** 1300 300 074

www.wattmaster.com.au