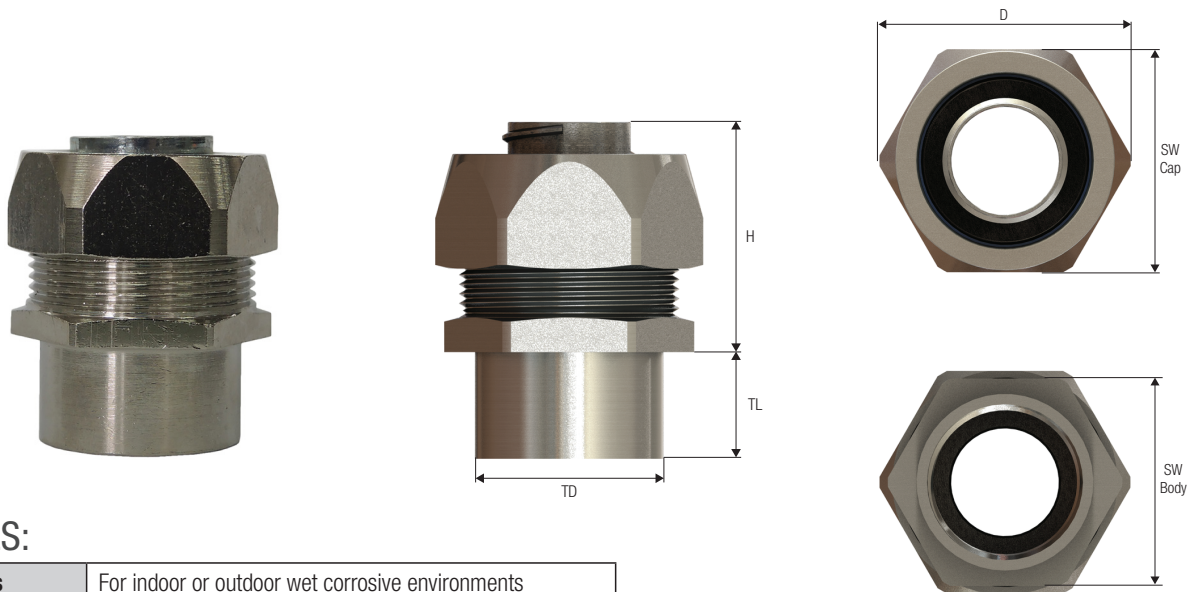


Alco

Female Metal Conduit Connectors



FEATURES:

Applications	For indoor or outdoor wet corrosive environments
Function	Provides dust and liquid-tight connection to liquid-tight flexible metal conduit
Material	
Body and cap	Brass, Nickel Plated
Ferrule	16mm–32mm: Steel Zinc Plated 40mm–63mm: Nickel Plated Brass
Inner seal	Polyamide 6 V2
Throat insulator	Polyamide 6 V2
Nut	Brass, Nickel Plated
O-Ring	NBR
Approvals	IP68 – 5 Bar
Temperature Range	–45°C to +105°C

SPECIFICATIONS:

PART NUMBER	CONDUIT SIZE		MAX INTERNAL DIAMETER (mm)	THREAD SIZE (mm)	TOTAL HEIGHT H + TL (mm)	THREAD LENGTH TL (mm)	OUTER DIAMETER D (mm)	SW CAP (mm)	SW BODY (mm)	BOX QTY	SUITABLE CONDUIT						
	mm	INCHES									TYPE HCB	TYPE AEF	TYPE EF ORANGE	TYPE AOR	TYPE HCX	TYPE ZHUA	TYPE SHIELD-TITE
C16/M16-FC	16	3/8	10.2	M16 X 1.5	35	11.5	29	26.0	24	50	HCB38-BLK	AEF38	EF38-ORG	AOR38	HGX38	ZHUA38	ANAEMC38
C20/M20-FC	20	1/2	13.5	M20 X 1.5	37	13	32.7	29.0	27	50	HCB12-BLK	AEF12	EF12-ORG	AOR12	HGX12	ZHUA12	ANAEMC12
C25/M25-FC	25	3/4	18.5	M25 X 1.5	40	15	38.7	35.0	33	25	HCB34-BLK	AEF34	EF34-ORG	AOR34	HGX34	ZHUA34	ANAEMC34
C32/M32-FC	32	1	23.5	M32 X 1.5	46.5	15	50	45.0	43	10	HCB100-BLK	AEF100	EF100-ORG	AOR100	HGX100	ZHUA100	ANAEMC100
C40/M40-FC	40	1 1/4	31.8	M40 X 1.5	52	16	60	54.0	52	5	-	AEF114	EF114-ORG	AOR114	HGX114	ZHUA114	ANAEMC114
C50/M50-FC	50	1 1/2	36.8	M50 X 1.5	56.5	18	69.3	63.0	60	5	-	AEF112	EF112-ORG	AOR112	HGX112	ZHUA112	ANAEMC112
C63/M63-FC	63	2	47.8	M63 X 1.5	66	20	85	77.0	74	4	-	AEF200	EF200-ORG	AOR200	HGX200	ZHUA200	ANAEMC200

Wattmaster

THE BRAND ELECTRICIANS RELY ON

T: 1300 300 747 F: 1300 300 074

www.wattmaster.com.au