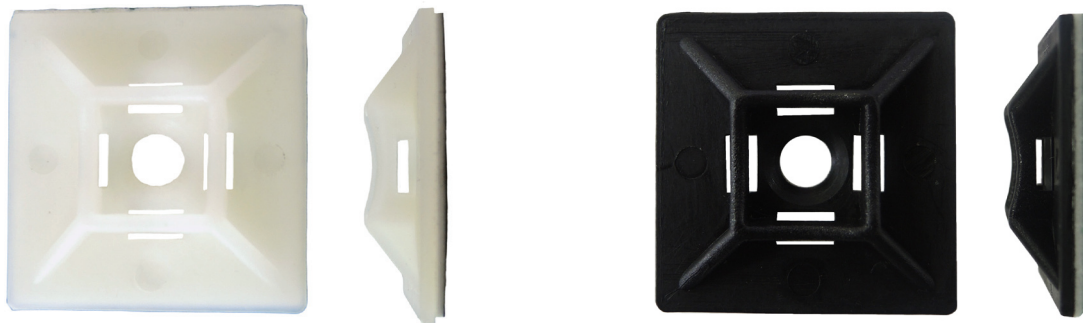


Wattmaster

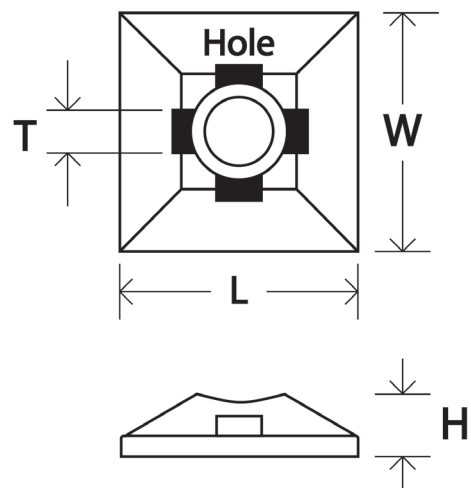
THE BRAND ELECTRICIANS RELY ON

Cable Tie Mount



FEATURES:

- Quick and easy to use
- Black or Natural, Nylon 66
- Designed to secure small diameter wire bundles in restricted space
- Screw hole provided for additional support (WATAAM2 range only)
- Double sided adhesive tape attached



SPECIFICATIONS:

PART NUMBER	COLOUR	LENGTH (MM) (L)	WIDTH (MM) (W)	HEIGHT (MM) (H)	TIE WIDTH (MM) (T)	PACK QTY
WATAAM1	Natural	19	19	4.0	4.0	100
WATAAM1-B	Black	19	19	4.0	4.0	100
WATAAM1/25	Natural	19	19	4.0	4.0	25
WATAAM1/25-B	Black	19	19	4.0	4.0	25
WATAAM2	Natural	28	28	5.7	5.0	100
WATAAM2-B	Black	28	28	5.7	5.0	100
WATAAM2/25	Natural	28	28	5.7	5.0	25
WATAAM2/25-B	Black	28	28	5.7	5.0	25

Wattmaster

THE BRAND ELECTRICIANS RELY ON

T: 1300 300 747 F: 1300 300 074

www.wattmaster.com.au